

61" COLUMBUS CAST IRON DOUBLE ROLL TOP TUB

Cat. No.
CTDR7H61



Features:

- ▶ Inside finish is white enamel
- ▶ Cast Iron imperial feet
- ▶ Tub exterior is white (expoxy)
- ▶ Pre-drilled overflow hole
- ▶ 7" centers in tub deck
- ▶ Feet are attached and leveled before shipment
- ▶ Tub is thoroughly inspected before shipment

Foot Finishes:

UF Unfinished
BL Painted Black
BQ Painted Bisque
PB Polished Brass



CP Polished Chrome
WH Painted White
PN Polished Nickel
SN Brushed Nickel
ORB Oil Rubbed Bronze

L: 60"
W: 30-1/8"
H: 22-1/2" (from floor to top of tub)
17-3/8" (from bottom of tub to top of tub)

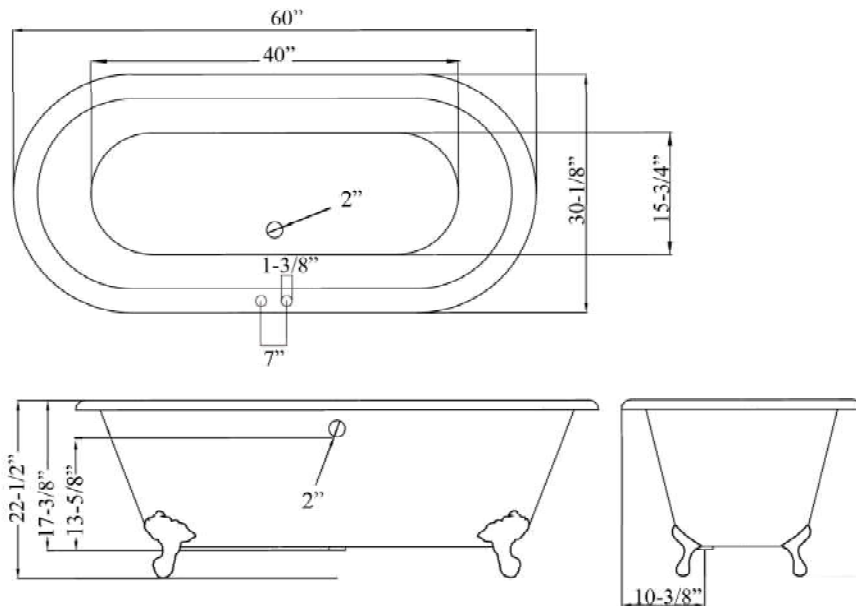
Water depth: 17-3/8" to top of tub
Water depth: 13-5/8" to overflow

Custom Colors Available (inside of tub is always white enamel):
Painted bathtubs are considered "special order" and are not returnable
\$160 Bisque or Black \$250 Designer Color

The following is recommended for
CTDR7H61 tubs:

- Rim-mounted faucet: part #4601 or 4201
- Straight bath supplies: part #5577
- Leg tub drain: part #5599

Gallon Capacity: 60
Shipping Weight: 480 lbs.
Empty Weight: 300 lbs.
Filled Weight: 801 lbs.



TUB RIM MOUNT FILLER WITH HANDSHOWER

Cat. No.
4601



Features:

- ▶ Brass construction
- ▶ Elephant spout length is 5-³/₄"
- ▶ Flow rate is 3.7 GPM
- ▶ Available with porcelain lever (**4601- PL**) or metal cross lever handles (**4601-MC**)
- ▶ Telephone handshower with cradle and hose
- ▶ Handshower flow rate 2.5 GPM
- ▶ Handshower includes backflow preventer
- ▶ 6" Elbow mounts included
- ▶ IAPMO approved
- ▶ 7" Centers for deck mounting on acrylic or cast iron tubs
- ▶ ¼ Turn ceramic disc cartridges
- ▶ To be used with straight bath supplies, **Part #5577**

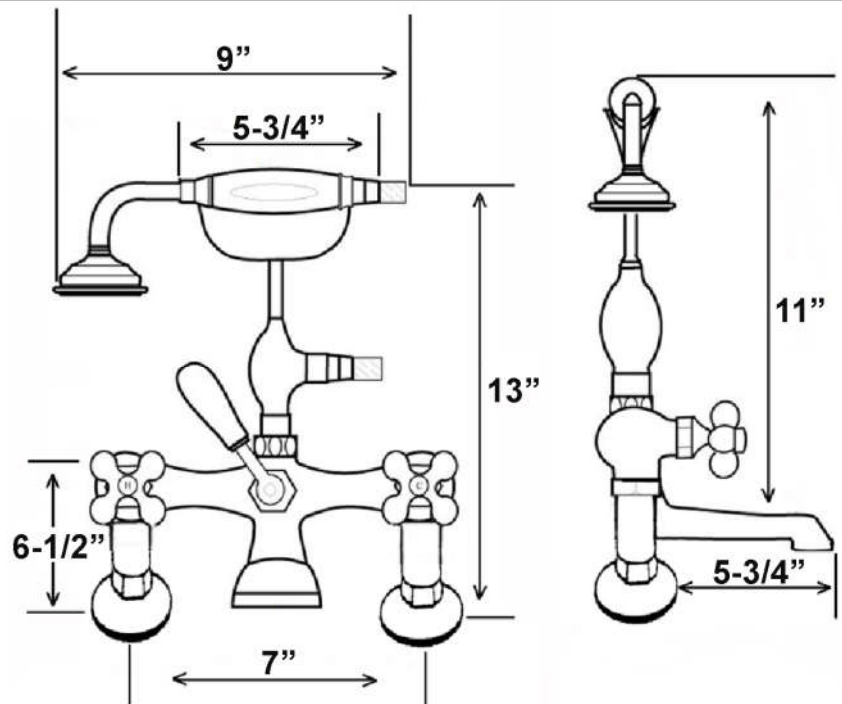
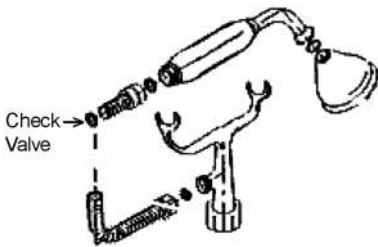
Finishes:

BP Polished Brass
CP Polished Chrome
SN Brushed Nickel

PN Polished Nickel
ORB Oil Rubbed Bronze



6" Elbow Mounts



Dimensions are nominal and may vary. Dimensions and specifications subject to change without notice.

STRAIGHT BATH SUPPLIES

Cat.No.

5577



H: 24"

OD: 1/2"

Interior Dimensions:

Basin Interior: 13" x 11 7/8"

Basin Depth: 7 1/2"

Mount bolts height: 30"

Mount holes cc: 6"

Spout hole: 1 3/8"

Features:

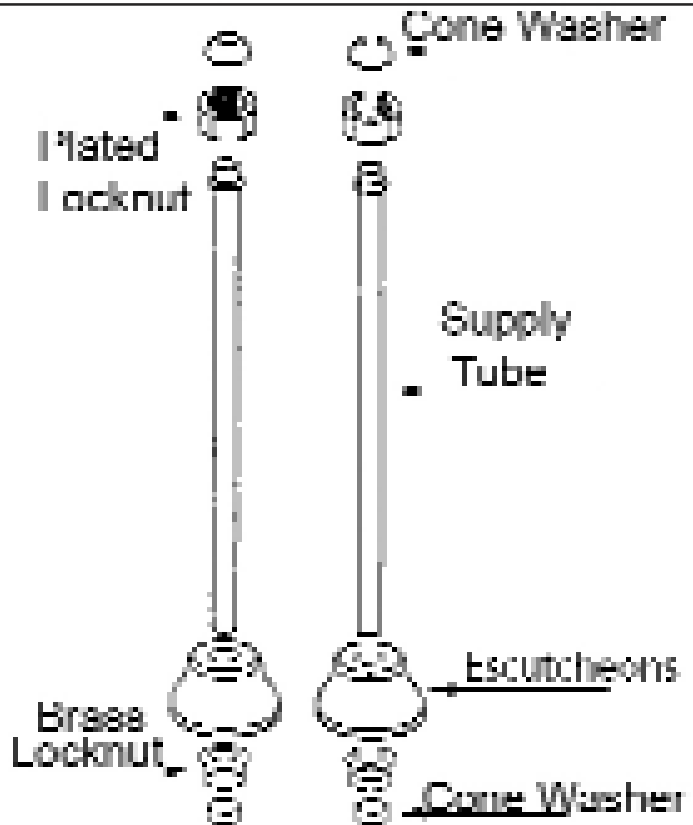
- ▶ For use with faucets mounted to the tub deck
- ▶ No stops
- ▶ 1/2" Compression inlet
- ▶ 3/4" Compression outlet
- ▶ Bottom flange 2-1/2" diameter
- ▶ 0.500" Outer diameter
- ▶ 0.400" Inner diameter
- ▶ 0.030" Thickness of the wall
- ▶ Available in 5 Finishes

Compliance Certification

Meets or exceeds the following specifications: ASME-A112 (and 19.6M) for Vitreous china fixtures. ASME 112.19.9M for fire clay fixtures.

Finishes:

- CP Polished Chrome
- SN Brushed Nickel
- BP Polished Brass
- ORB Oil Rubbed Bronze
- PN Polished Nickel



Use on concrete floors requires special installation. We recommend using a plumbing professional.

Dimensions and specifications subject to change without notice.

LEG TUB DRAIN

Cat. No.
5599



Escutcheon Height: 1-1/4"

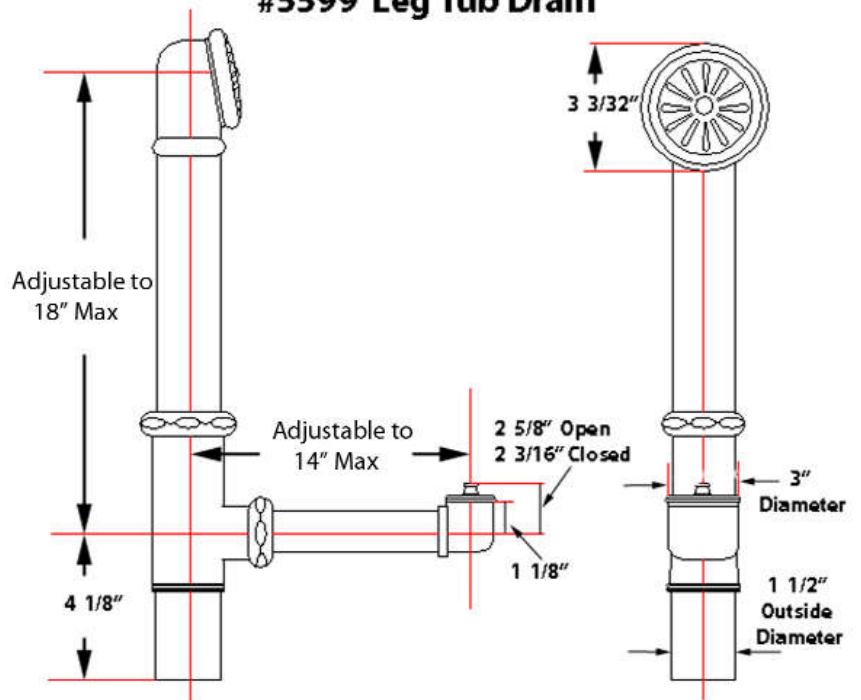
Features:

- ▶ Twist-and-lift stopper
- ▶ Includes deep escutcheon
- ▶ Height adjustable 15"-18"
- ▶ Depth adjustable 12"-14"
- ▶ Includes deep escutcheon
- ▶ IAPMO approved
- ▶ Available in 5 Finishes

Finishes:

- CP** Polished Chrome
- BP** Polished Brass
- SN** Brushed Nickel
- PN** Polished Nickel
- ORB** Oil Rubbed Bronze

#5599 Leg Tub Drain



Dimensions and specifications subject to change without notice.